

REB950

Recessed Emergency Light



The "Rebel"

Specifiers reference:

Project: _____

Type: _____

Model: _____

Comments: _____

Product Summary

- Approvals.....UL Listed to UL924
- Input Voltage..... 120 to 277 Vac, Universal Input
50/60 Hz
- Input Current.....(25mA) Trickle Charge after full charge
- Input Power..... 2.0 W
- Output Illumination..... 950 Lumens
- Operating Time 90 minutes
- Output Lens..... (2) provided : Oval for Narrow path,
Wide for Open spaces
- Lamp Color: 5000K
- BatteryLi-ion
- Test Switch/Charge indicator On faceplate
- Enclosure.....20 gauge steel back box with Junction box,
Polycarbonate trim plate
- DimensionsFaceplate: 7 1/4" cover
Backbox 4 12/16" L x 3 1/2" W x 3 3/4" H
- Operating Temperature..... 10C° to 50C°
- Recharge time..... 24 hours
- Warranty 3 years
- Self Test/ Self Diagnostic 1 minute per month and
90 minutes per year

Description

The Assurance Emergency Lighting recessed ceiling mount REB950 self diagnostic emergency lighting unit is an excellent choice for long corridors or open spaces. The round white faced REB950 provide 950 lumens of illumination for 90 minutes in the event of a power failure. The high power output allows for up to 80' spacing for corridor lighting or 30' by 30' spacing for open rooms to meet emergency lighting code requirements. The REB905 comes with an installed standard corridor lens and a field installable wide space lens for open spaces.

Specification

Emergency Lighting shall be provided by using the Assurance Emergency Lighting REB950 white ceiling mounted recessed emergency lighting unit. The REB950 shall be installed in the ceiling to provide 950 lumens in the event of a power failure and operate for a minimum of 90 minutes. The REB950 shall provide 950 lumens with both lens for open spaces and corridor applications to ensure best optimal emergency lighting space coverage. The REB950 charges from 120-277 Vac, 50/60 Hz. The REB950 Includes a cad-dy bar assembly for mounting within a T-Grid ceiling or dry ceiling and includes conduit entry through knock-outs in the back-box. The unit is designed for ceiling mounting only. The REB950 is self testing/ self diagnostic and performs a 1 minute monthly test and 90 minute annual test. It is UL924 Listed for indoor dry and damp locations and meets Title 20 CEC requirements. It is warranted for 3 years from date of purchase.

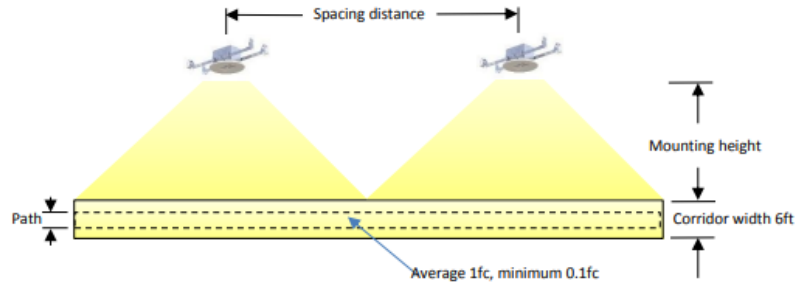


All Specifications subject to change without prior notification.

Model:	Color	Self Diagnostic
REB950	White	YES
REB950-B **	Black	YES

The below details are based on 70% ceiling, 50% walls and 20% floor reflectance.

** Contact factory for availability



Note: Both Oval Lens and Wide Lens are provided with unit and are easy to change during installation of unit.

Mounting height	Spacing distance @6ft width corridor/6ft path	Spacing distance @6ft width corridor/3ft path
9ft	72ft	75ft
10ft	78ft	80ft
12ft	76ft	78ft

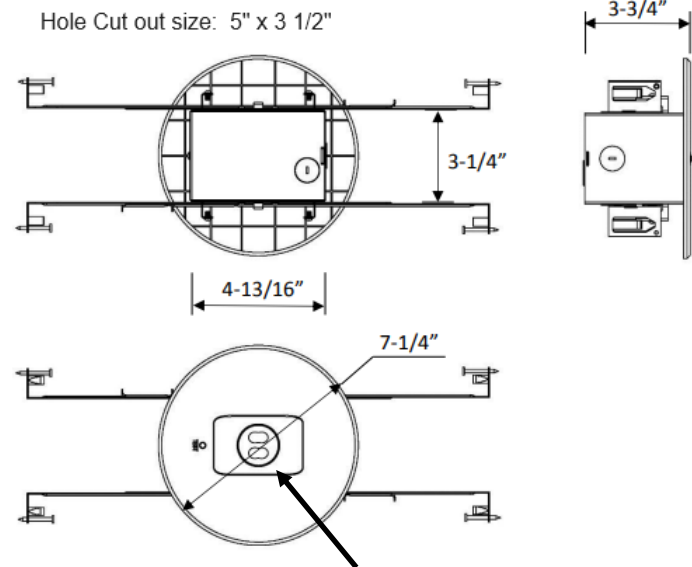
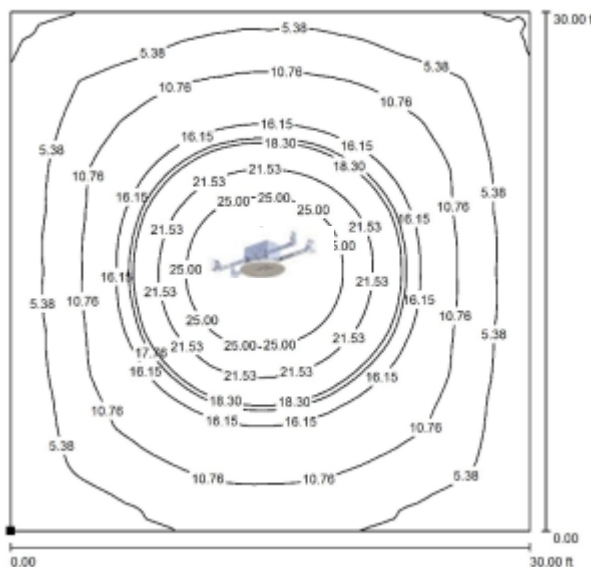
Photometrics are available for download at AssuranceLighting.com

Wide lens for open area



Mounting height	Room Size	Room surface
10ft	30ft*30ft	900 square feet

Wide lens for open area



Changeable Lens

05012024